

# LAKE LIFTER

DC POWERED BOAT LIFT MOTORS

## Instructions Wiring & System Diagrams



# ELECTRONIC BRAKING NOTICE

## Compatibility Issue



### NEPTUNE BRAND G6 SUPER FAST LIFT (GEARBOX ISSUE)

### Neptune Boat Lifts

#### 4-Post Lifts

#### Flat Plate Drive

#### Direct Drive

#### G3 High Speed

#### *G6 SuperFast*

4,500 lbs.

7,000 lbs.

10,000 lbs.

13,000 lbs.

16,000 lbs.

20,000 lbs.

24,000 lbs.

30,000 lbs.



NOTE: Our DC-SOLAR motors will increase the normal lifting speed of any lift. Example: Our DC-SOLAR motor will increase the G3 lifting speed to near G6 lifting speeds.

Gearbox Ratio is too low and does NOT SELF LOCK: Boat will slowly lower on its own. Requires Electronic braking AC-motors only: Does Not work with DC-SOLAR SYSTEM



**IMPORTANT:** BATTERIES ARE THE LAST CONNECTIONS MADE!

Signal wires will be LIVE if batteries are connected and will likely result in a short connection when you are working with and routing signal wires to the master control box.

Keep batteries disconnected while installing the system, running wires & connections.

# DUAL MOTOR (LEFT / RIGHT) System

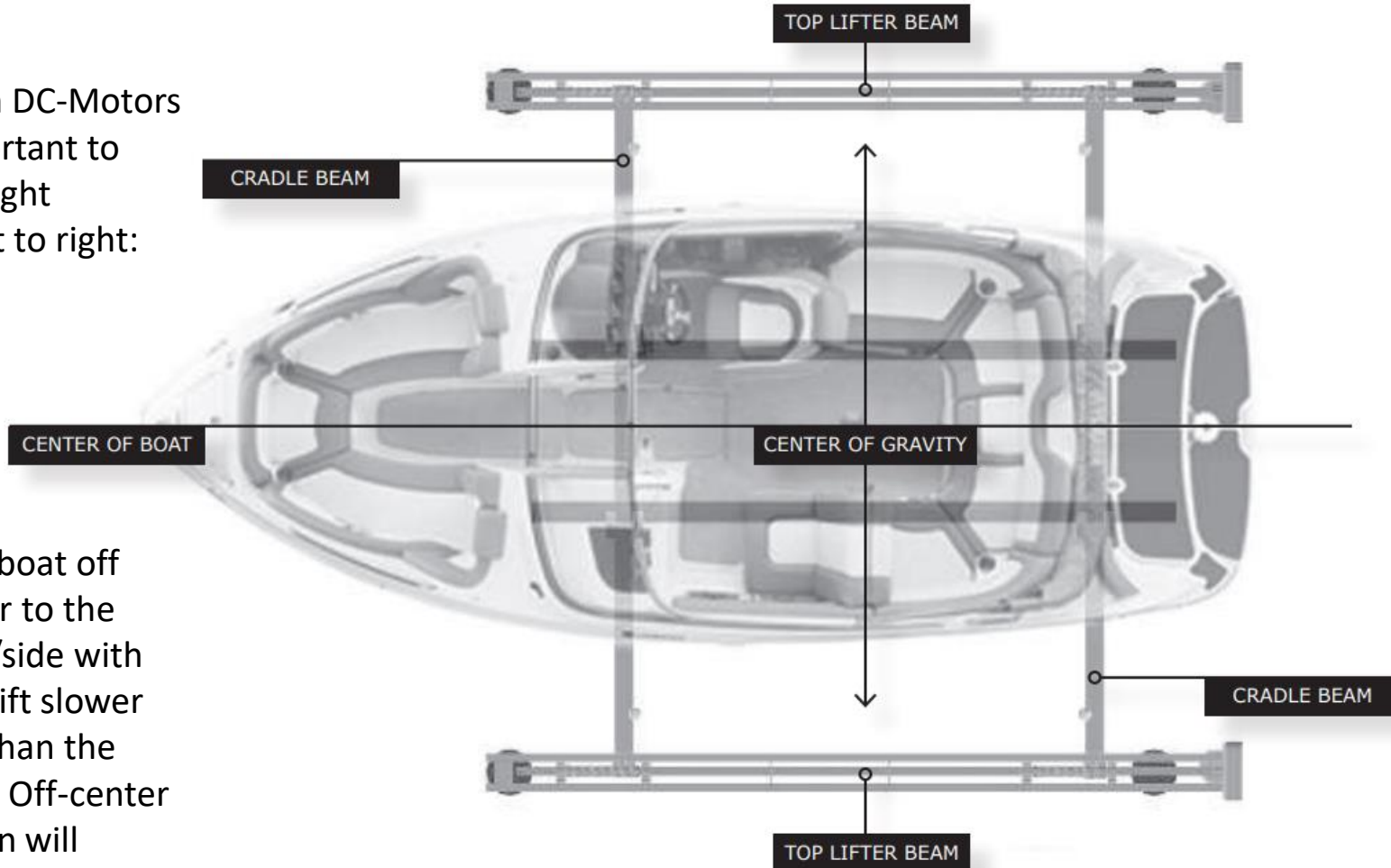
Model: 2M-L/R



# IMPORTANT: Boat Weight Distribution

The weight of your boat **MUST BE EVENLY DISTRIBUTED ON THE BEAMS** to ensure your safety and longevity of your lift. Consult the boat manufacturer for lifting points and center of gravity on your boat. Inspect lifting cables for damage and make sure that they are spooled properly to prevent shock or impact loads from damaging your boat or lift. This could result in structural or mechanical damage to your lift or boat as well as cause personal injury or death.

**IMPORTANT:** with DC-Motors it is critically important to keep the boat weight centered from left to right:



**DO NOT** shift the boat off center to be closer to the dock. The Motor/side with more weight will lift slower and lower faster than the other motor/side. Off-center weight distribution will require frequent leveling.

# IMPORTANT: Electrical Connections

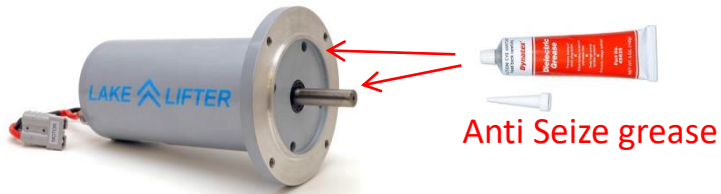
Electrical grease will protect and prolong electrical connections.

- Use dielectric grease to fill each motor and battery connector before connecting.
- Use dielectric grease on battery terminals.



# IMPORTANT: Greasing Motor/Gearbox

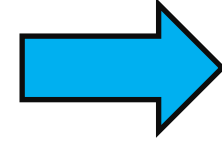
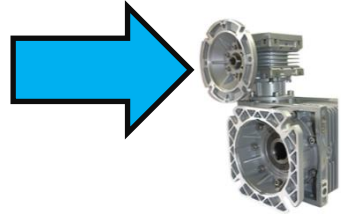
## EPOXY MOTOR



Anti Seize grease

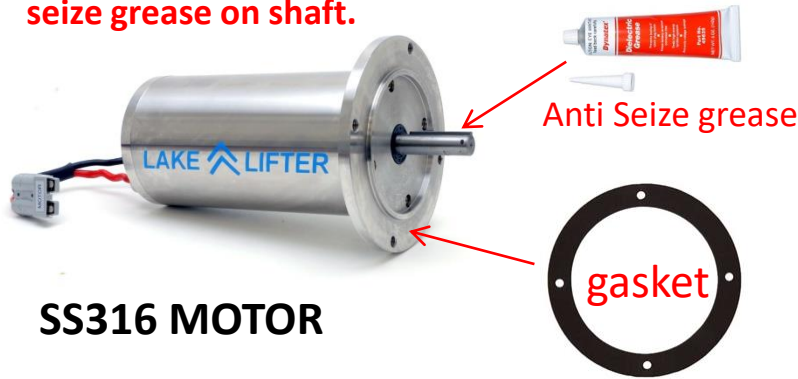
Install the motor on the boat hoist gear box: Gearbox style & type vary based on brand. The Lake Lifter motor is a 56C frame style which fits all boat lift enclosed style Gearboxes.

**IMPORTANT:** use grease on the motor face and shaft before installing. This will make future removal easier if necessary.



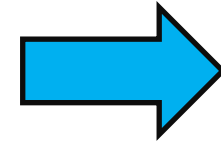
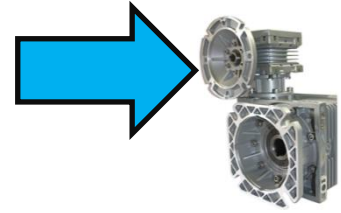
Example Installations

**IMPORTANT: Stainless Steel motors REQUIRE a gasket between the motor and the gearbox. This will prevent dissimilar metal contact. Use anti seize grease on shaft.**

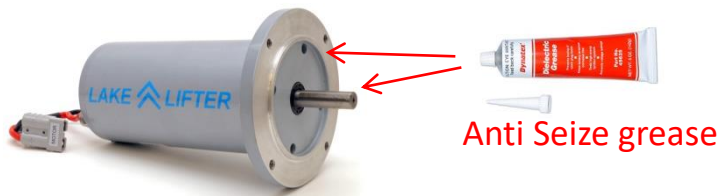


gasket

## SS316 MOTOR

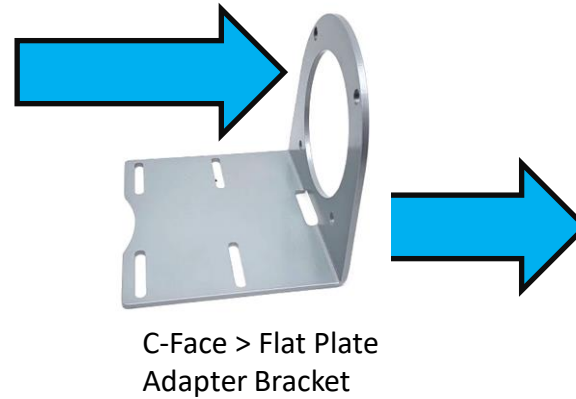


# IMPORTANT: Greasing Motor/Gearbox



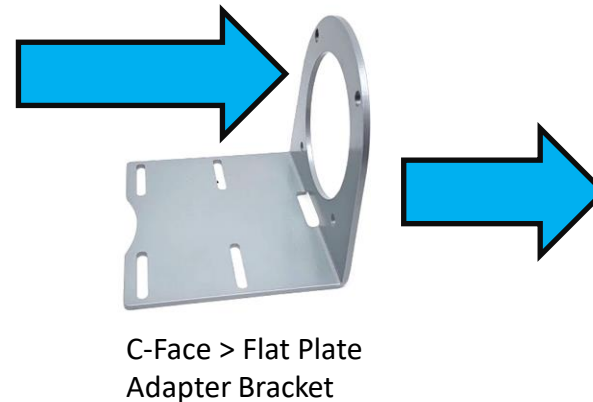
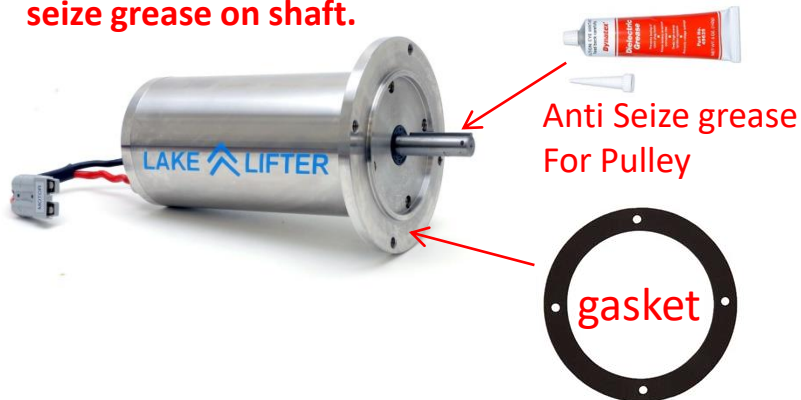
Install the motor on the boat hoist gear box: Gearbox style & type vary based on brand. The Lake Lifter motor is a 56C frame style which fits all boat lift enclosed style Gearboxes.

**IMPORTANT:** use grease on the motor face and shaft before installing. This will make future removal easier if necessary.



## Example Installations

**IMPORTANT: Stainless Steel motors REQUIRE a gasket between the motor and the gearbox. This will prevent dissimilar metal contact. Use anti seize grease on shaft.**

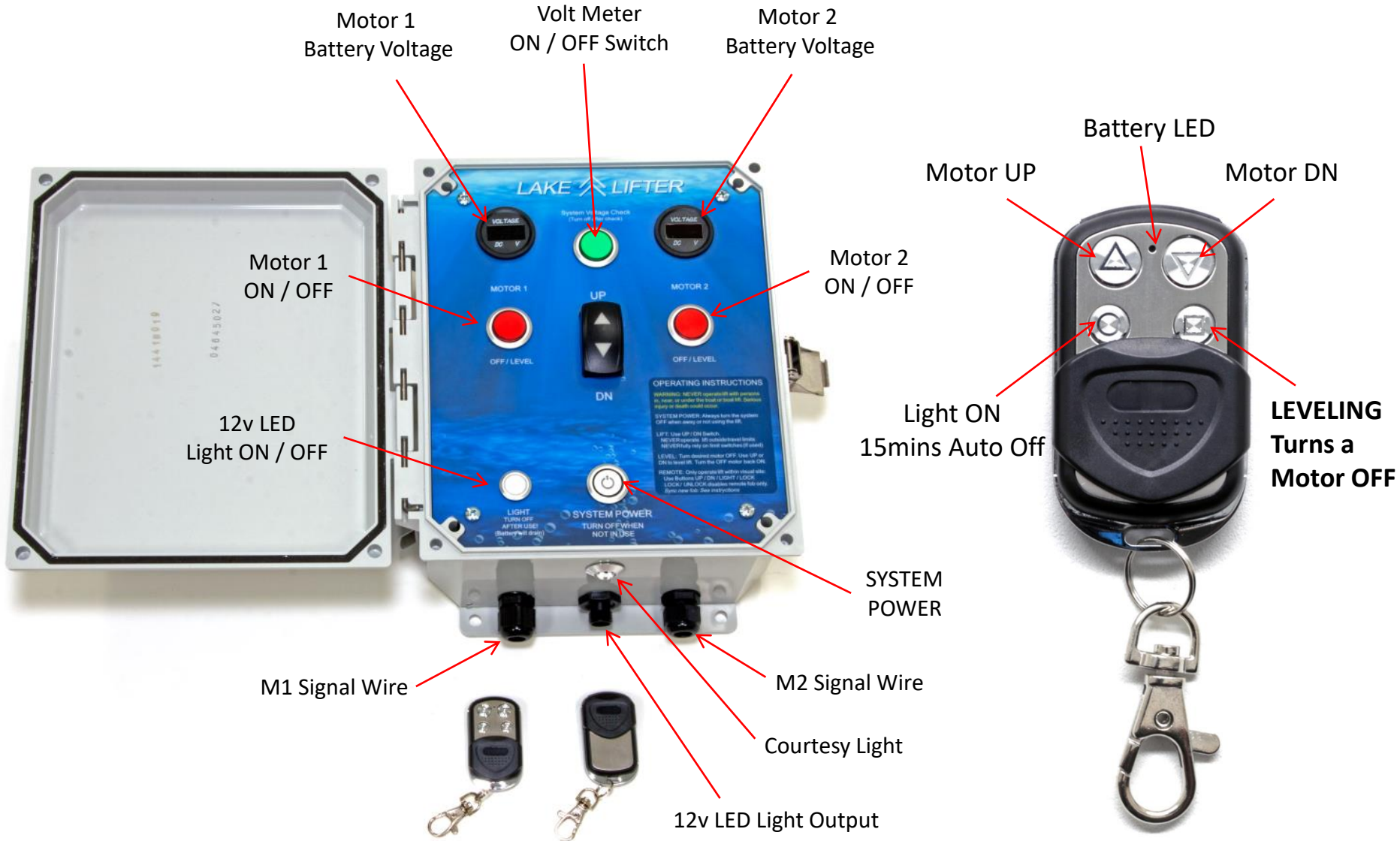




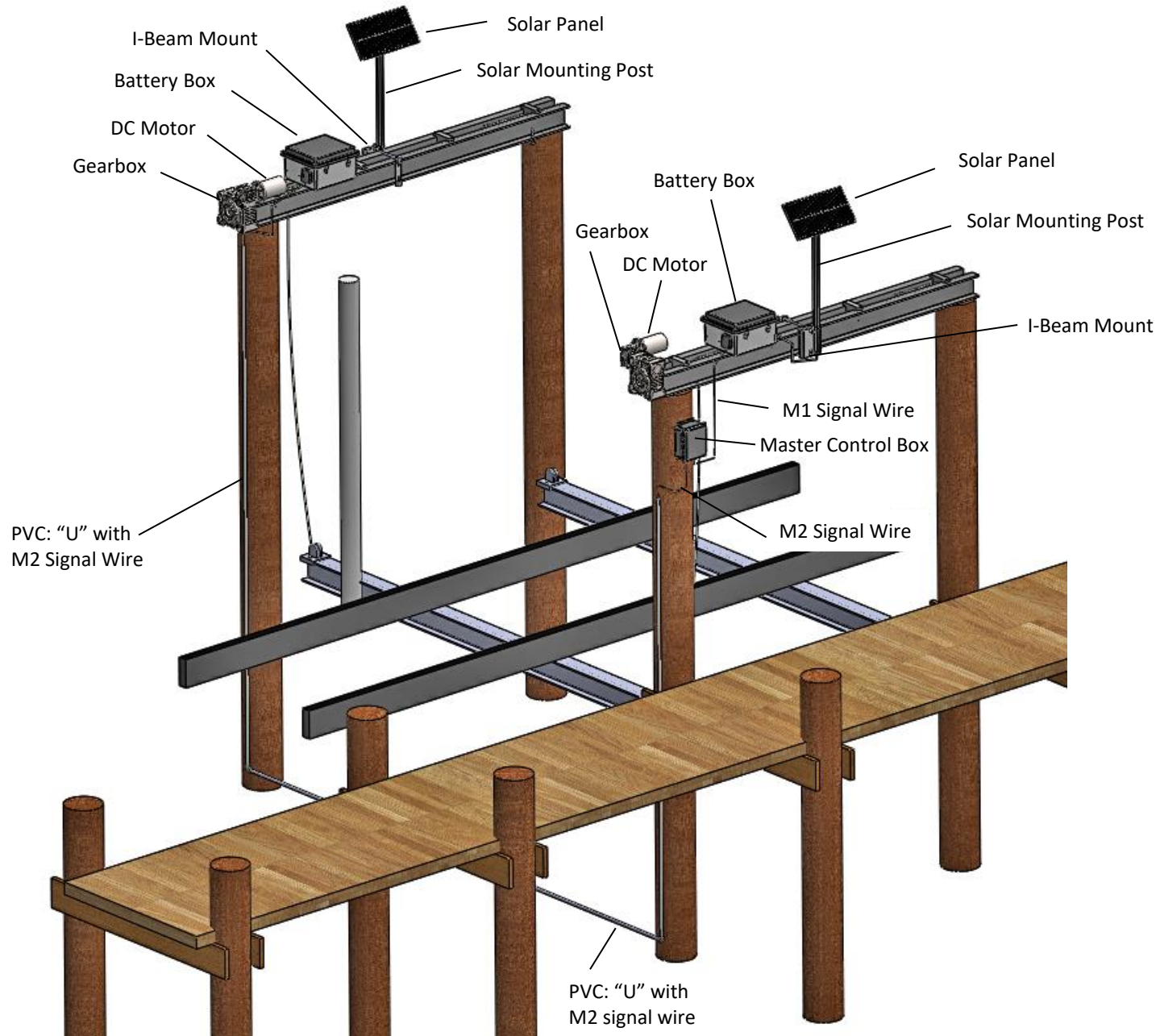
# Master Control Box Overview



# Control Box & Fob Switches & Buttons



# Typical System Install & Layout

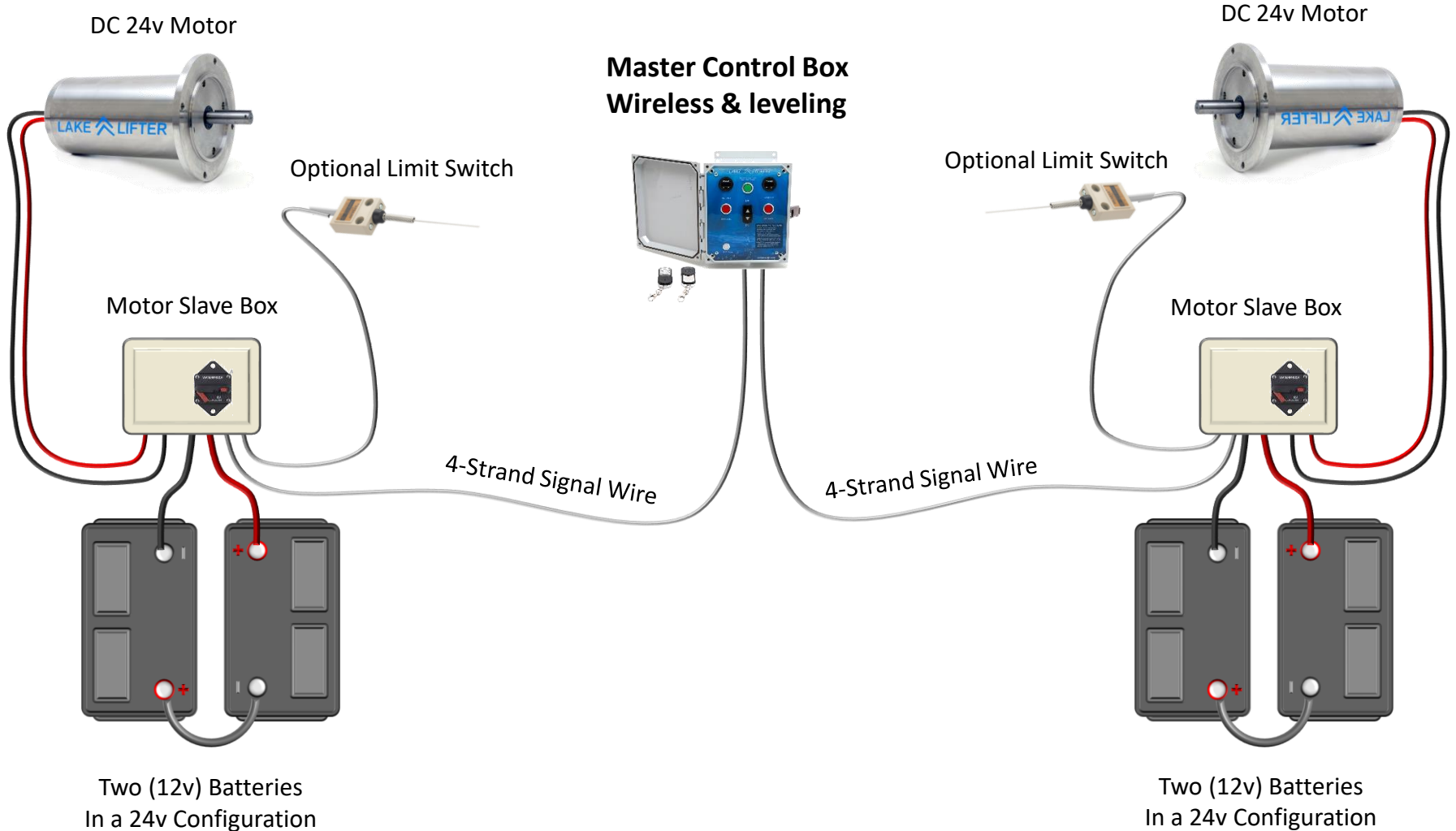


# Motor Connection Diagram:



**IMPORTANT: BATTERIES ARE THE LAST CONNECTIONS MADE!**

Signal wires will be LIVE if batteries are connected and will likely result in a short connection when you are working with and routing signal wires to the master control box. Keep batteries disconnected while installing the system, running wires & connections.



# Motor & Solar Connection Diagram

24v Solar Panel

Master Control Box

24v Solar Panel

DC 24v Motor

DC 24v Motor

Limit Switch

Limit Switch

Motor Slave Box

Motor Slave Box

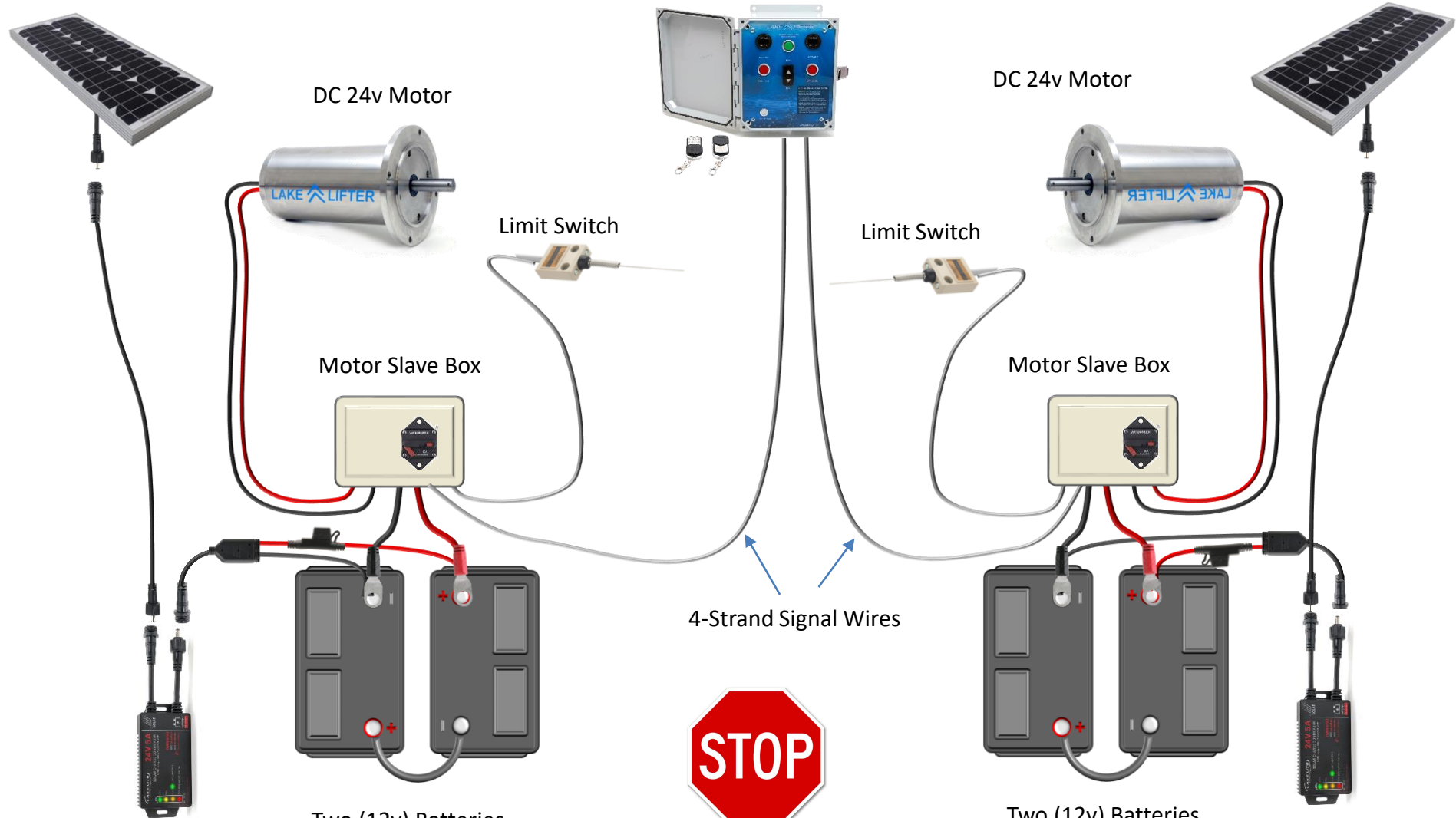
4-Strand Signal Wires

Two (12v) Batteries  
In a 24v Configuration

Two (12v) Batteries  
In a 24v Configuration



**IMPORTANT: BATTERIES ARE THE  
LAST CONNECTIONS MADE!**

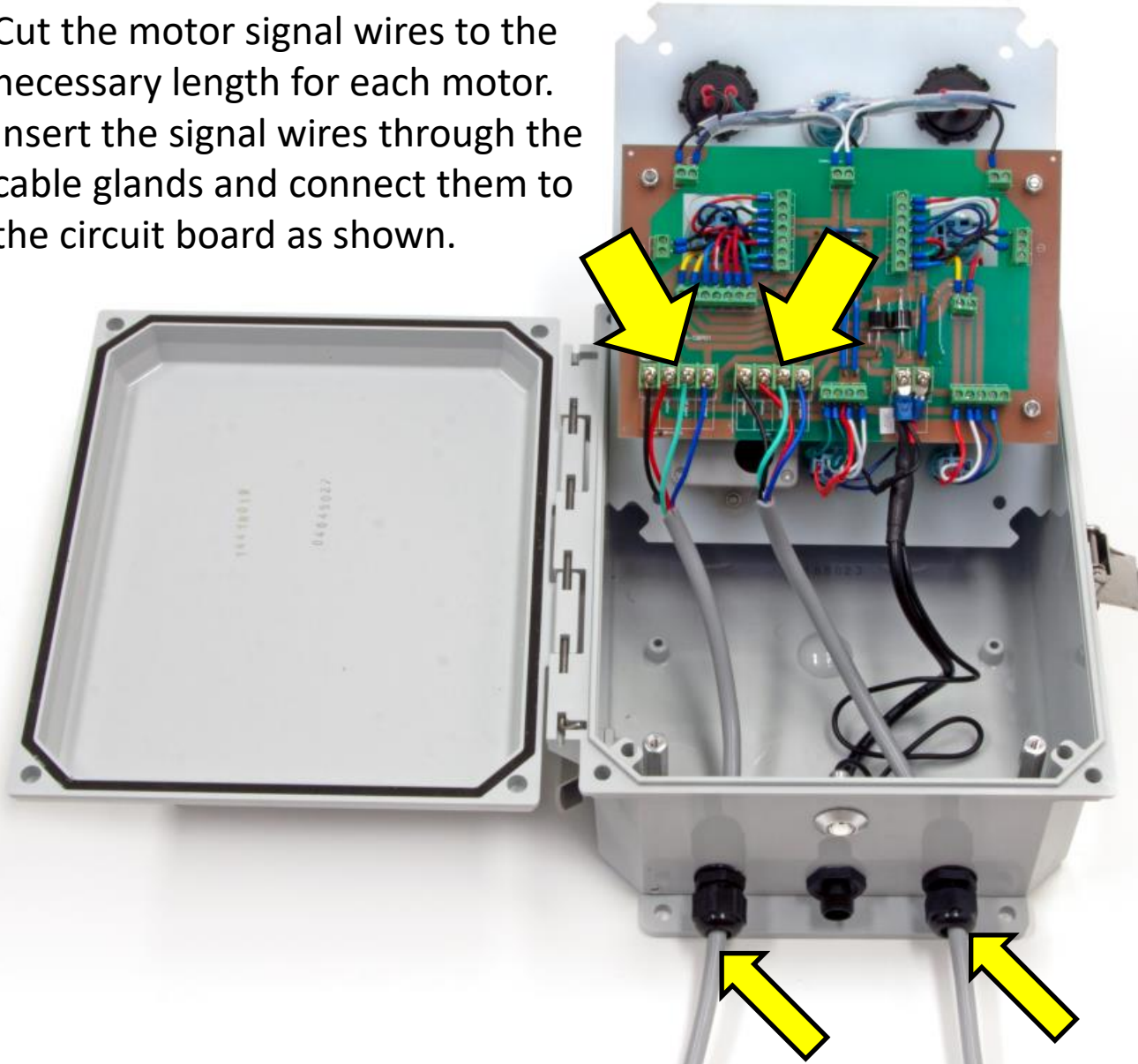


# Connecting signal wires in master control box

Cut the motor signal wires to the necessary length for each motor. Insert the signal wires through the cable glands and connect them to the circuit board as shown.



**MAKE SURE ALL POWER TO BOTH SETS OF BATTERIES IS DISCONNECTED WHILE ATTACHING SIGNAL WIRES!**



Motor Signal Wire

Motor Signal Wire

# SLAVE MOTOR BOX



**MAKE SURE ALL POWER TO BOTH SETS OF BATTERIES IS DISCONNECTED WHILE ATTACHING SIGNAL WIRES**

Fuse Breaker



Optional Limit Switch Or Yellow Cheater Wire



Signal Wire

24v Battery Power

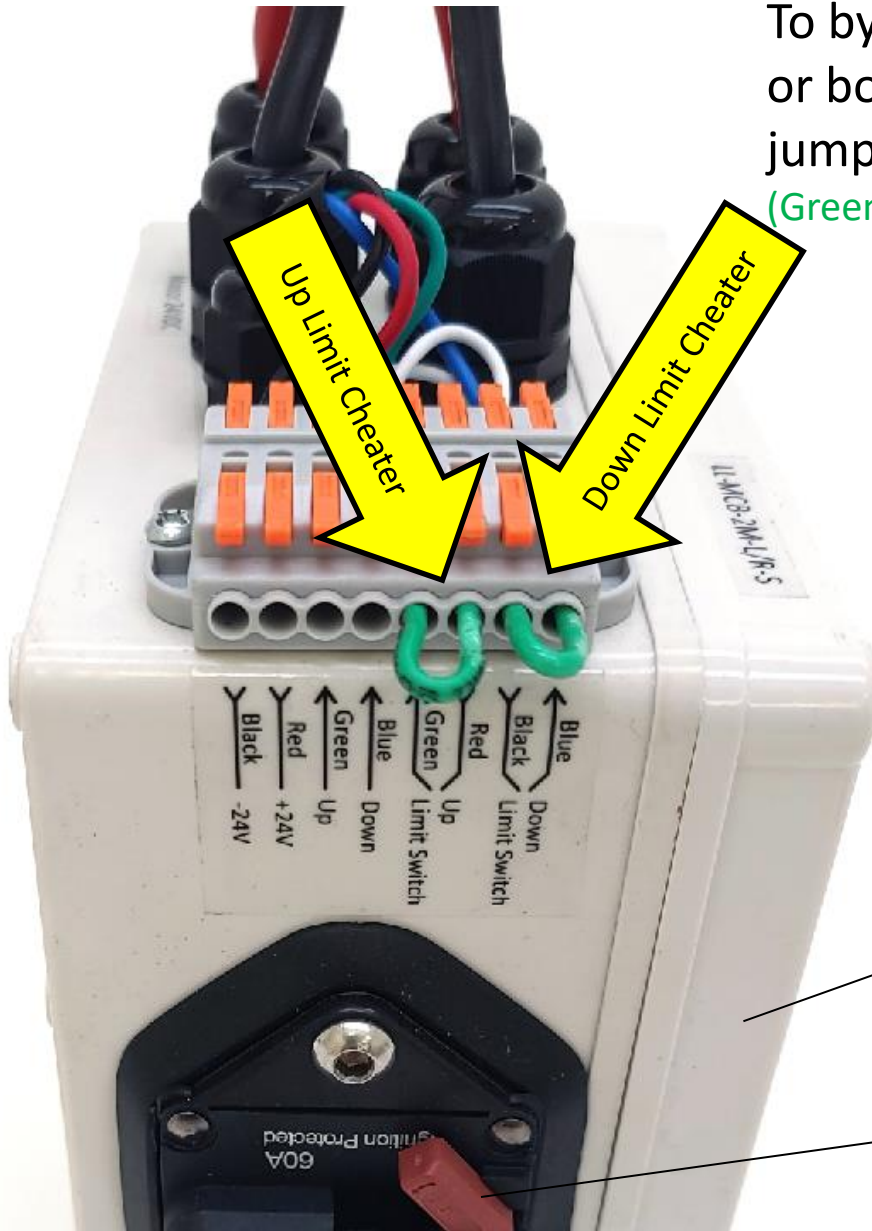


MOTOR CONNECTOR



# SLAVE MOTOR BOX – Excluding Limits

To bypass limits UP or DN or both simply insert a jumper wire as shown.  
(Green wires in this example)



MAKE SURE ALL POWER TO BOTH SETS OF BATTERIES IS DISCONNECTED WHILE ATTACHING SIGNAL WIRES

Slave Motor Box

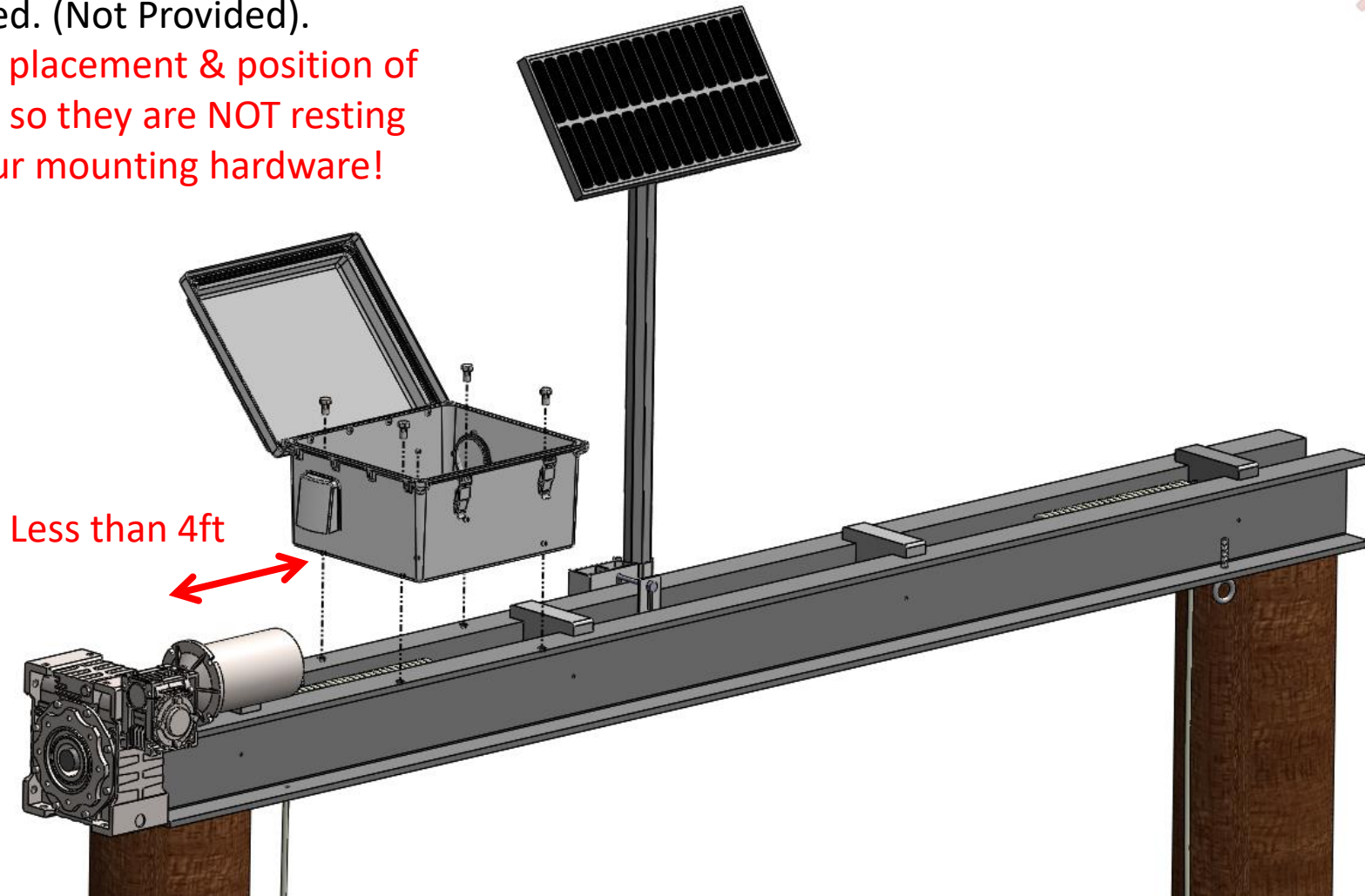
Push & disconnect Fuse Breaker while wiring  
(Lever out = disconnected)



# Battery Box Installation

The lift beams will vary in size & shape. User is responsible for mounting the battery box securely to the beams. Self tapping screws or bolts & nuts are recommended. (Not Provided).

Consider the placement & position of the batteries so they are NOT resting on top of your mounting hardware!

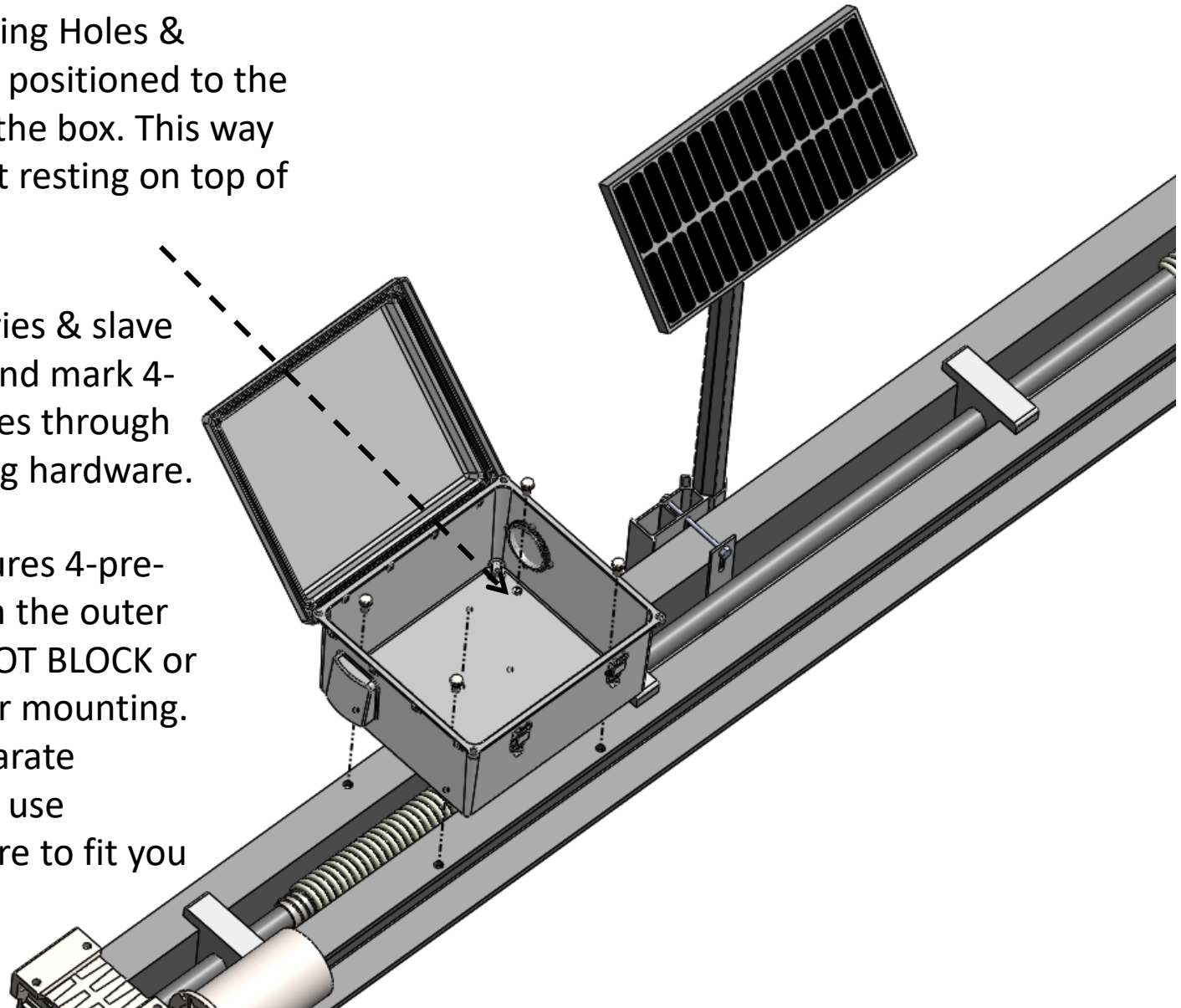


# Battery Box Installation

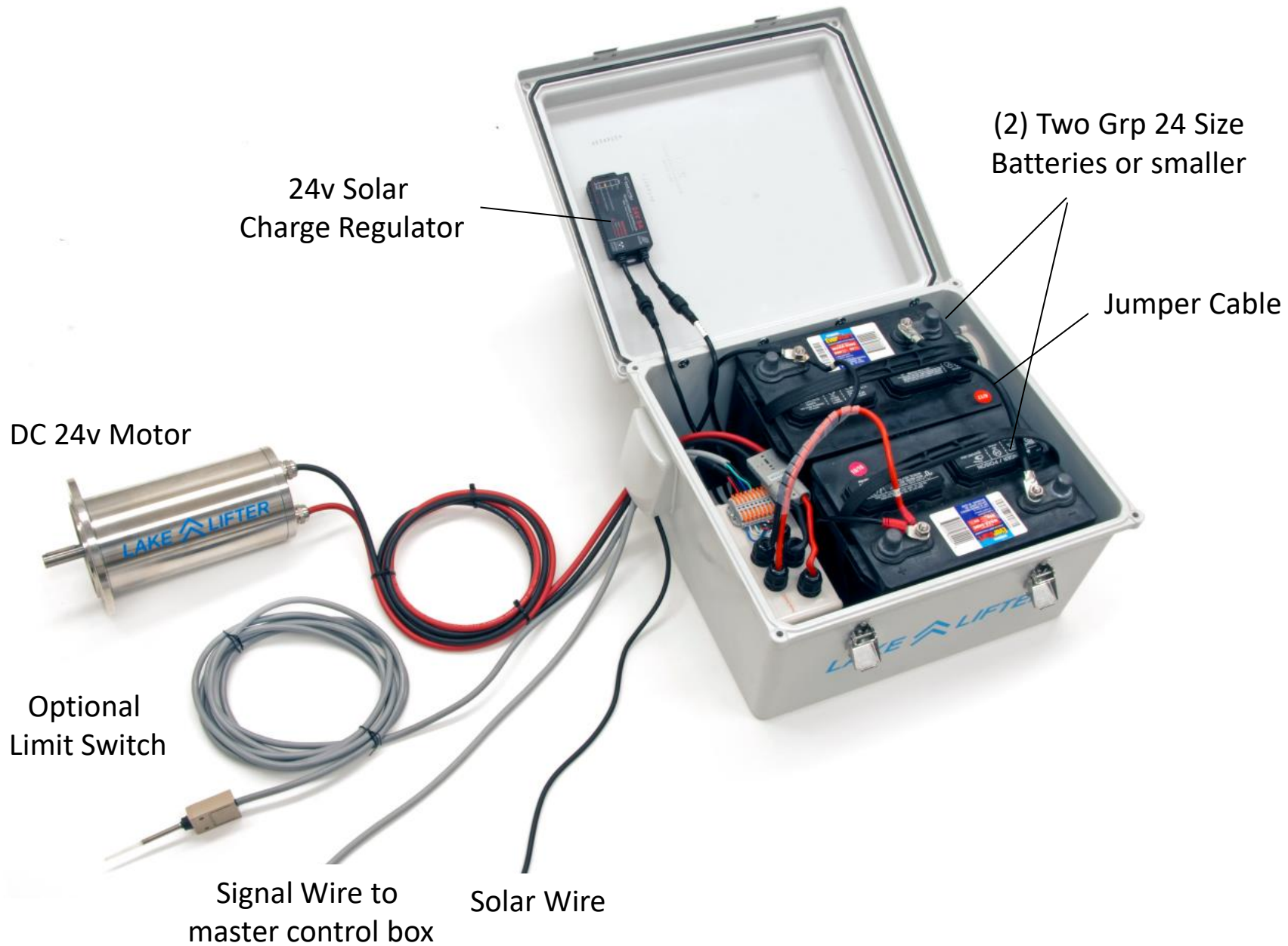
**IMPORTANT:** Mounting Holes & hardware should be positioned to the outermost areas of the box. This way the Batteries are not resting on top of the screws or bolts!

**NOTE:** Test fit batteries & slave box inside the box and mark 4-locations to drill holes through the box for mounting hardware.

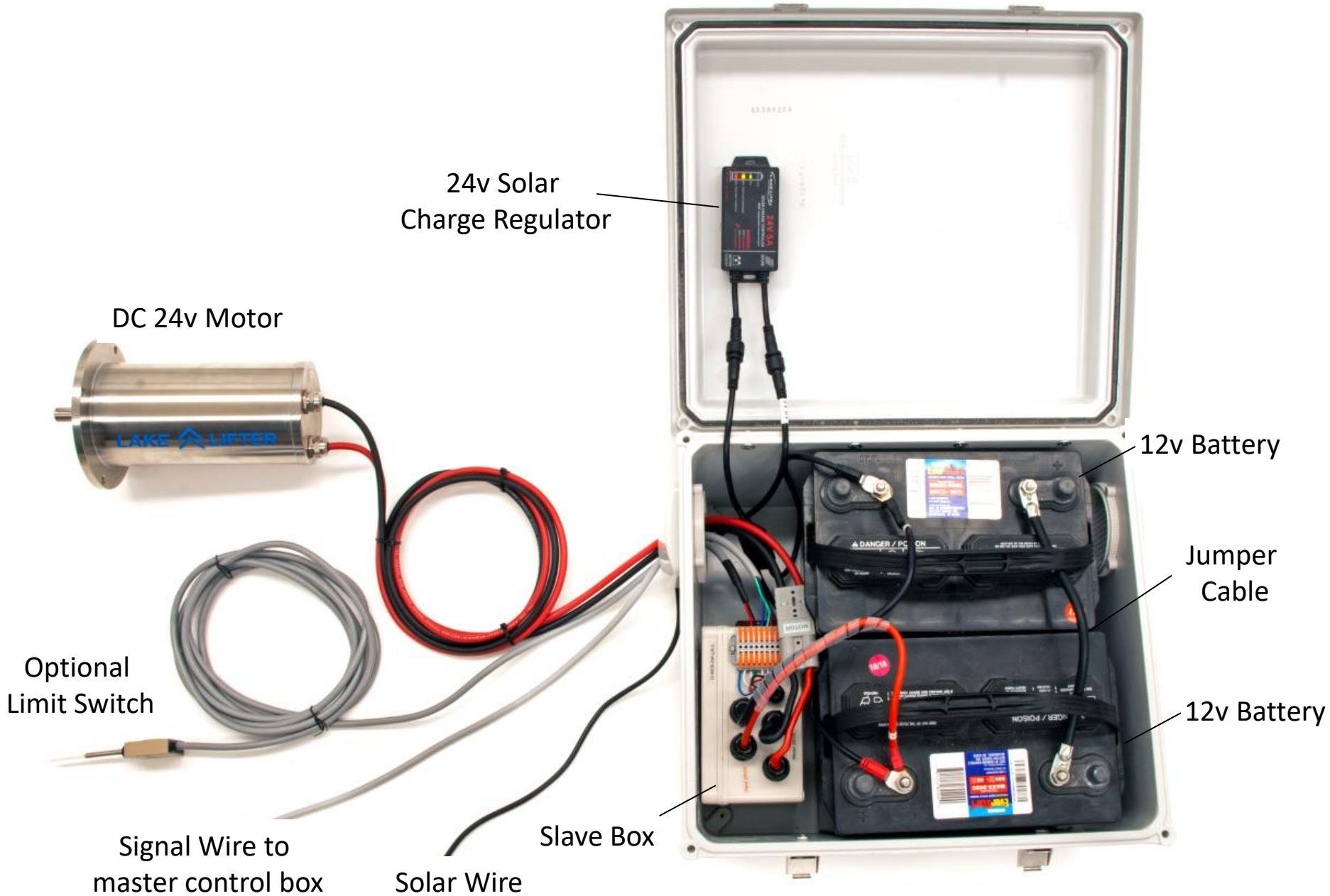
**NOTE:** The box features 4-pre-drilled drain holes in the outer most corners. **DO NOT BLOCK** or use these 4 holes for mounting. You must drill 4 separate mounting holes and use appropriate hardware to fit you lift beams correctly.



# Battery Box with Slave Box & Solar Regulator



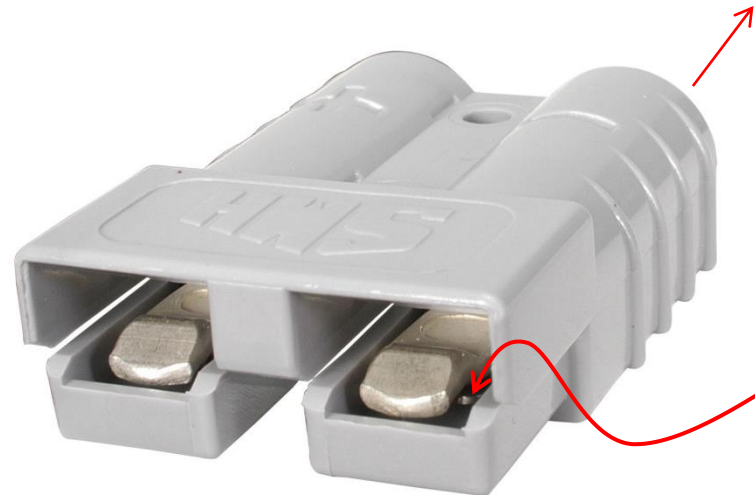
# Battery Box with Slave Box & Solar Regulator



# Reversing / Changing Motor Direction

Depending on the cable wrapping direction you may need to change the operating direction of the motor from the factory setting.

**IMPORTANT:** this may only be done at the MOTOR connector



Use small thin object to push spring tab down and remove contacts from connector. Reverse Red/Back wires and re-insert into connector

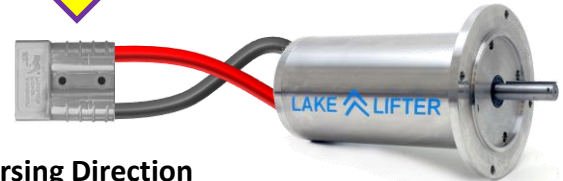
Slave Box



**Factory Setting**

Black – Black

Red – Red

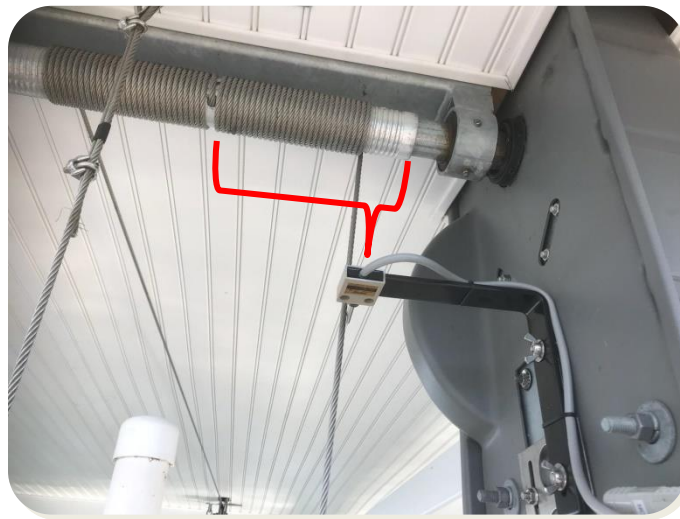


**Reversing Direction**

Black – Red

Red – Black

# Limit Switch Installation: Flat Plate Gearboxes



**IMPORTANT:** Install the limit switch in a location that will trip when the desired amount of cable has been spooled.

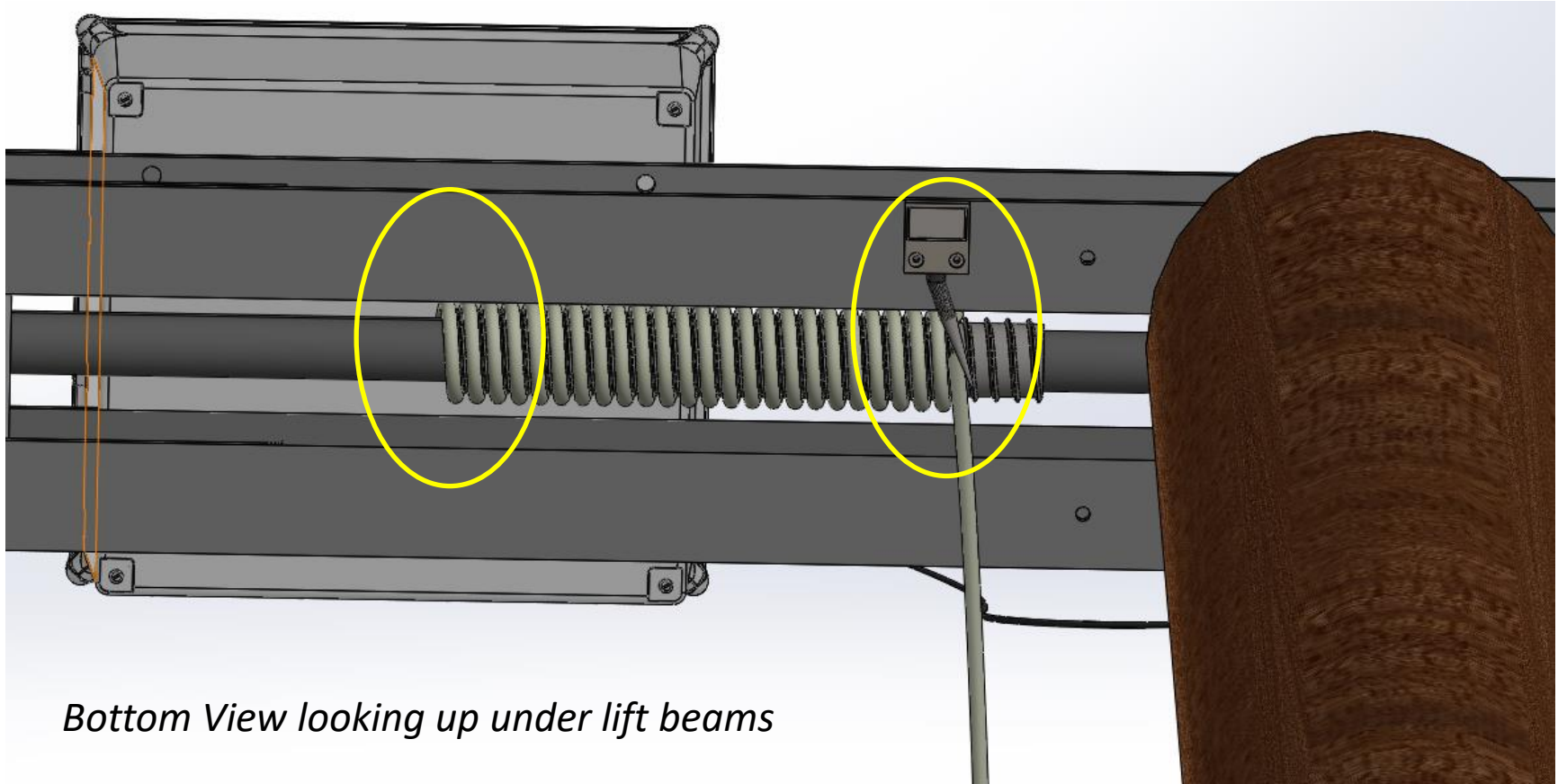
**NOTE:** Every boat lift configuration is different and it is the responsibility of the user to determine the best installation method and placement.



**UPDATE:** DO NOT install the limit switch where it will be tripped by the boat lift carriage. Continual non-stop movement of the carriage via wind will eventually wear out the limit switch. For longevity we recommend installing the limit switch where the cable is spooled.

**IMPORTANT: NEVER rely on the limit switch. The limit switch is a last resort safety device. Operator should always pay close attention when operating the boat lift.**

# Limit Switch Installation: I-Beam Lifts



*Bottom View looking up under lift beams*

**IMPORTANT:** Install the limit switch in a location that will trip when the desired amount of cable has been spooled. Depending on the lift construction style (Walk over beams) or (Walk under beams) you may want to use the limit switch as an UP LIMIT or a DN LIMIT.

**NOTE:** Every boat lift configuration is different. User is responsible to determine the best installation and placement.

**IMPORTANT: NEVER rely on the limit switch. The limit switch is a last resort safety device. Operator should always pay close attention when operating the boat lift.**



Spring Limit Switch



## WALK UNDER BEAMS STYLE LIFT

On this style lift the user walks UNDER the I-Beams to enter/exit the boat. The carriage of the boat is not lifted anywhere near the height of the I-Beams. For this reason many users may prefer to use the limit switch for the DN direction to stop the cable from slacking when the carriage is at the lowest point or worse, unraveling and winding UP in the wrong direction. With purchase of additional limit switches you may use one for both UP & DN limits.

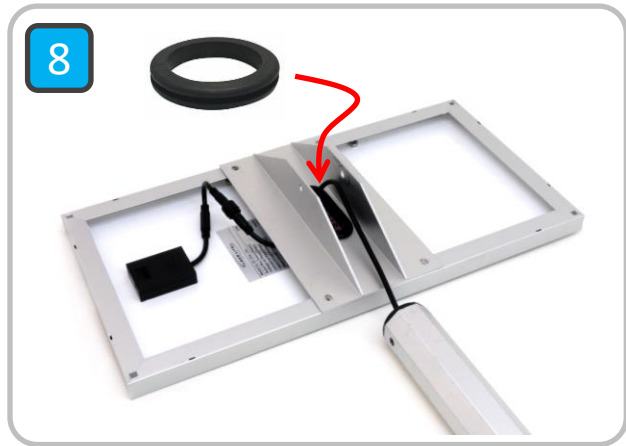
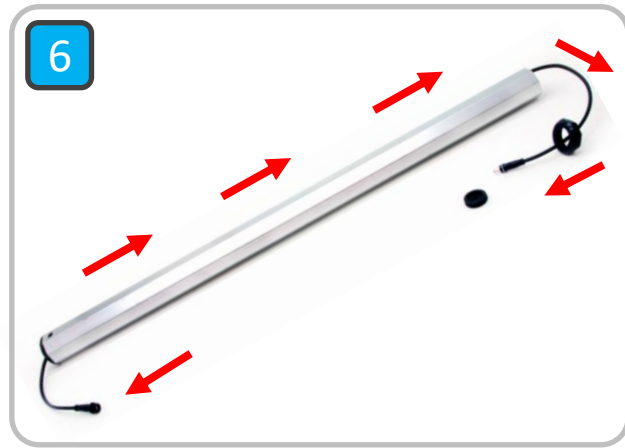
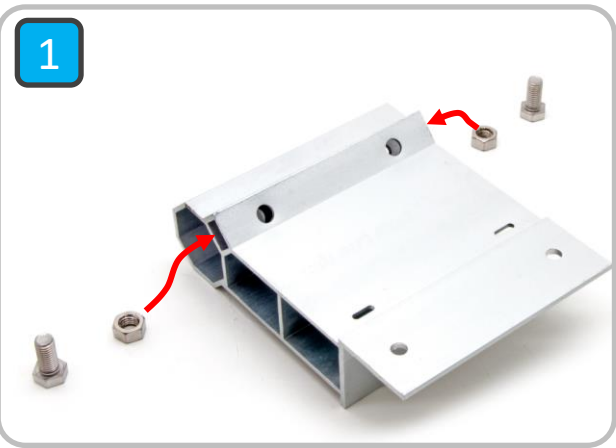
## WALK OVER BEAMS STYLE LIFT

On this style lift the user walks OVER the I-Beams to enter/exit the boat. The carriage of the boat is often lifted very near under the I-Beams. For this reason many users may prefer to use the limit switch for the UP direction to stop the carriage from hitting the I-Beams. With purchase of additional limit switches you may use one for both UP & DN limits.

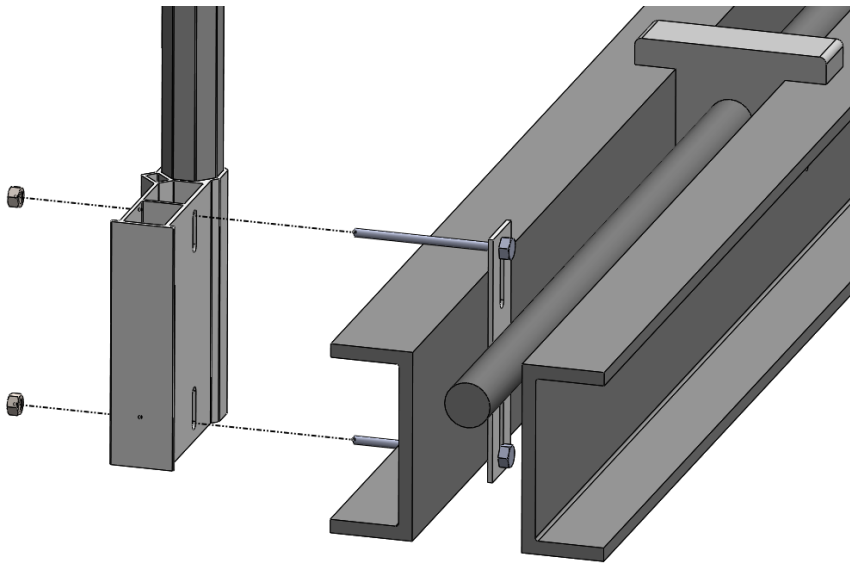


# LAKE LITE – SOLAR PANEL MOUNTING KIT

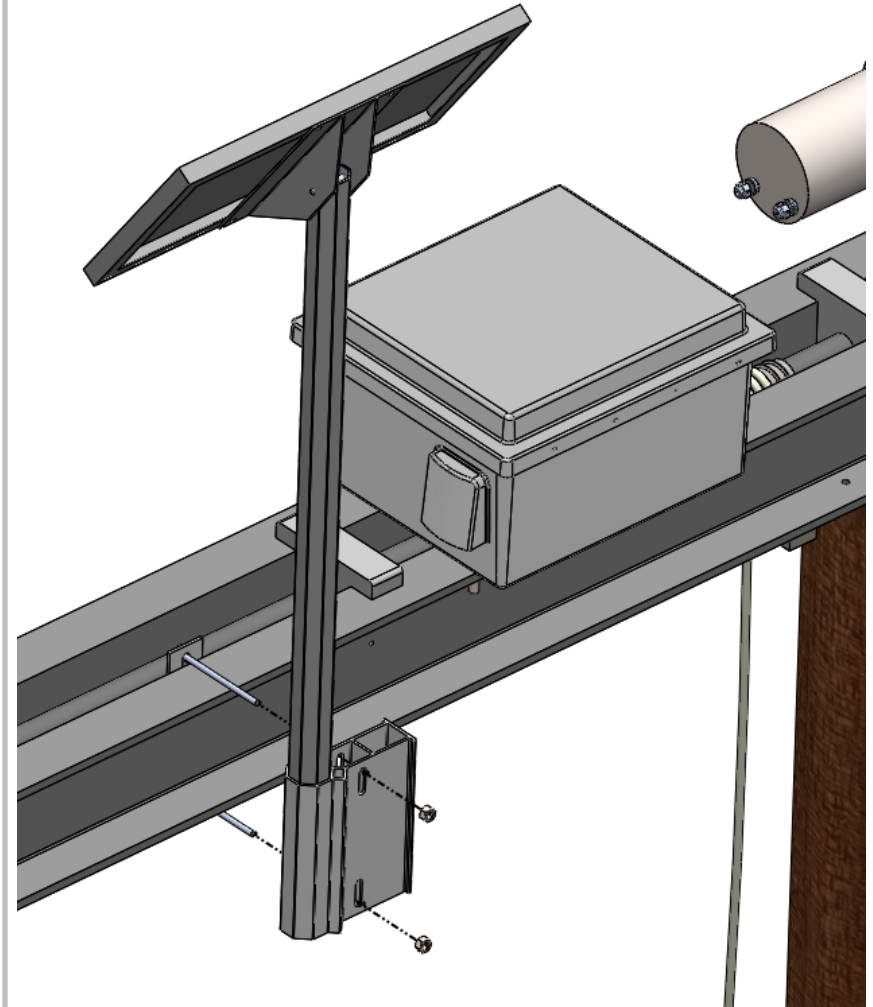
Models: LL-SPMA-HD-XX 12" / 36" / 48" / 72"



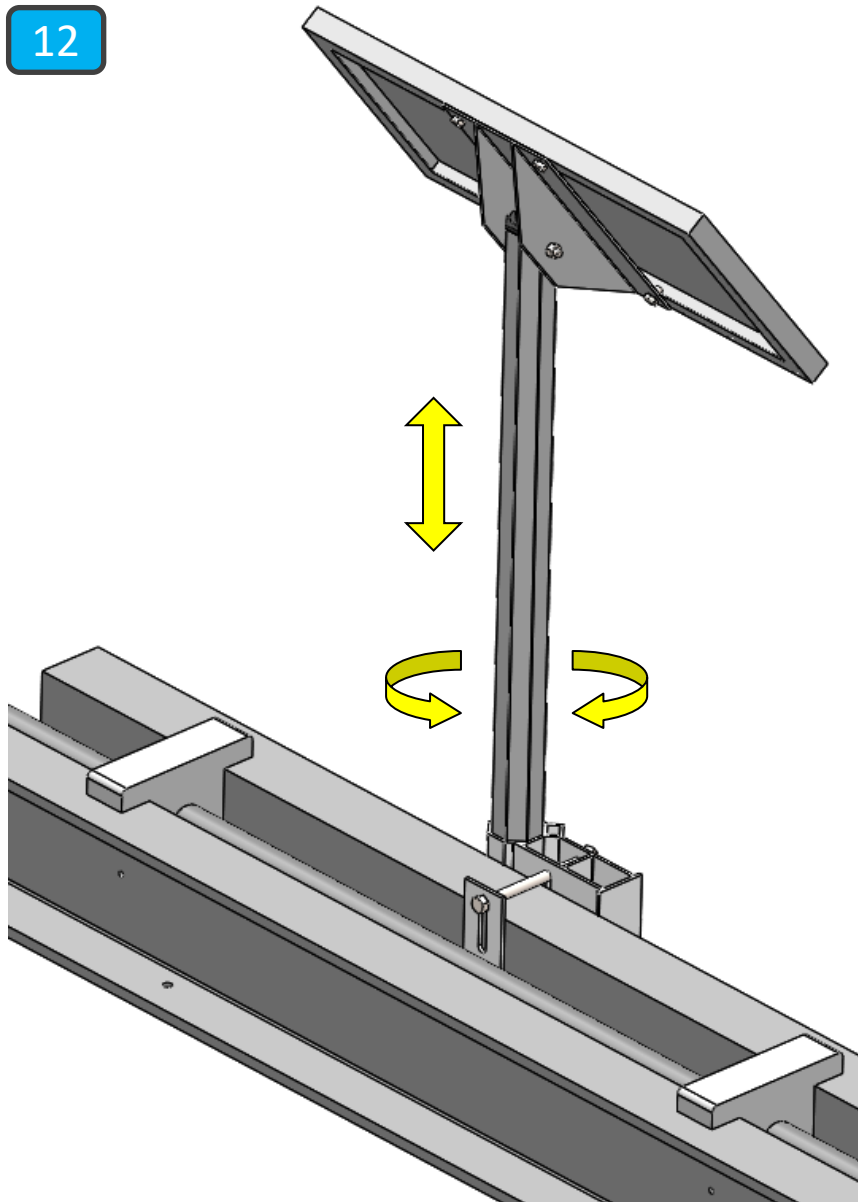
10



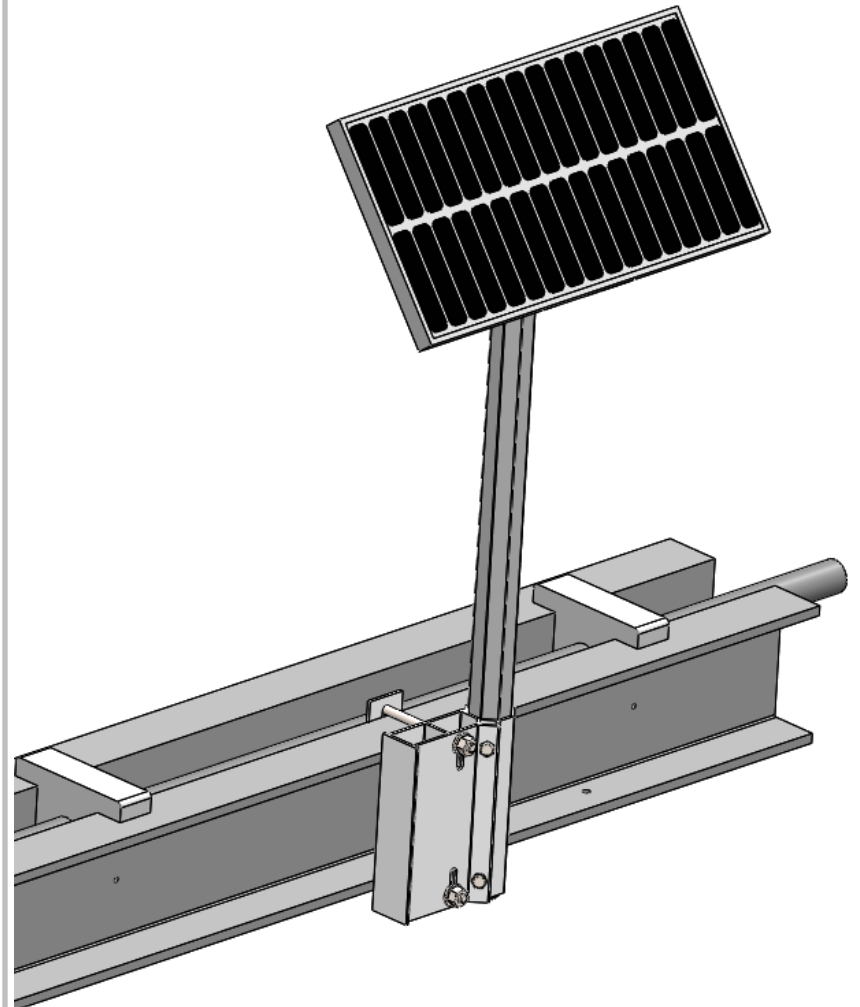
11



12



13



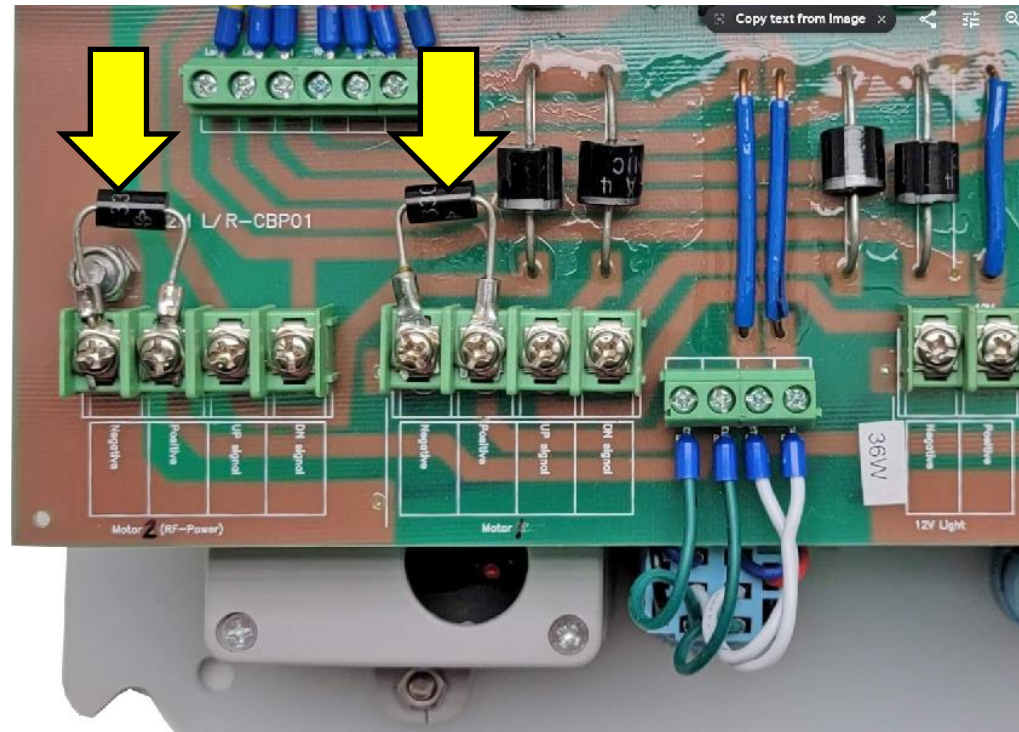
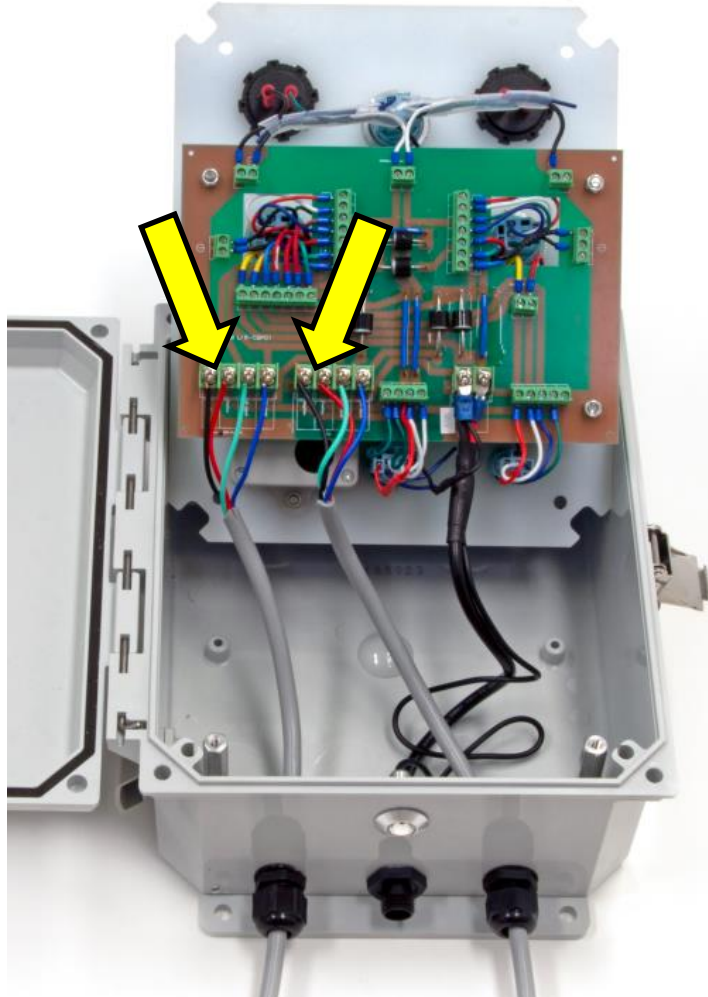
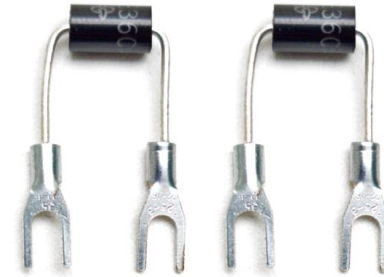
# **UPDATES FOR LEGACY SYSTEMS**

# UPDATE SURGE PROTECTION NOTICE

To protect your system from unintended operation due to electrical surges, static, & nearby lighting strikes you **MUST** install two surge protectors as shown below:

Install the surge protectors between the positive & negative terminals of both **M1** and **M2** inside the master control panel. Failure to install these will void the control panel warranty. DO NOT DELAY! **Note:** *Disconnect battery power before installing.*

Surge protectors



**NOTE: For best protection always turn the system OFF while not in use for extended periods of time.**