

Solar Marine Lite

MODEL: LL-SML-X



Solar Marine Dock Lite: Model LL-SML-X

The Solar Marine Lite is an industrial strength solar powered light designed for harsh environments. Available in five colors and changes easily between constant & flashing mode. High intensity LED's and powerful solar panel provide all night illumination. Perfect for dock lighting, marinas, boat houses, safety lighting, channel markers, buoys, obstruction lighting, mooring lights, or anywhere a light may be needed. Mounts virtually anywhere in minutes providing a fast & cost effective lighting solution.



LIGHT CHARACTERISTICS	
Light Source	6-Ultra-High intensity LEDs.
Available LED Colors	White, Blue, Green, Amber, Red
Light Mode Options (user switchable)	Constant & 1/sec. Flashing
Visible Range Constant Light Mode	0.5 – 0.75 nm (Run Time 30hrs Max)
Visible Range Flashing 1/sec Mode	1.0 – 1.25 nm (Run Time 40-45hrs Max)
Horizontal Output (degrees)	360
Vertical Divergence (degrees)	7-10
Intensity Adjustment	Automatic for Constant & Flashing 1/sec.
LED Life Expectancy (hours)	> 100,000 hrs
ELECTRICAL CHARACTERISTICS	
Circuit Protection	Integrated
Nominal Voltage (v)	1.2v
Autonomy (hours) Constant Mode	30hrs
Autonomy (hours) Flashing 1/sec Mode	40-45hrs
Temperature Range	-30 to 80 C
SOLAR CHARACTERISTICS	
Solar Module Type	Multicrystalline
Power (watts)	0.45 watts
Solar Module Efficiency (%)	14-16%
POWER SUPPLY	
Battery Type	High Grade NiMH – ECO Friendly
Battery Capacity (mAh)	2500 mAh
Nominal Voltage (v)	1.2v
Battery Service Life	3-4 years (Varies with local Environment)
Battery Service Access	Yes: User Changeable / Replaceable
PHYSICAL CHARACTERISTICS	
Body Material	UV Stabilized Poly Carbonate
Lens Material	UV Stabilized Poly Carbonate
External Lens Design	Fresnel Lens
Internal Lens design	360 Deg. Lenticular
Water Proof Rating	IP 68
Mounting	4 x 5mm mounting holes
Height	110.8mm
Width / Diameter	130.94mm
Weight	1kg
OPTIONS	
Custom Mounting & Hardware	Please Contact
Custom Flash Patterns and IALA Codes	Please Contact
* Information subject to change without notice	



Lake Lite Inc.
105 W. Simon St.
Laotto, IN 46763

Phone: 260-918-2758
Fax: 260-918-3540
E-mail sales@lakelite.com

www.lakelite.com
www.solarmarinelites.com

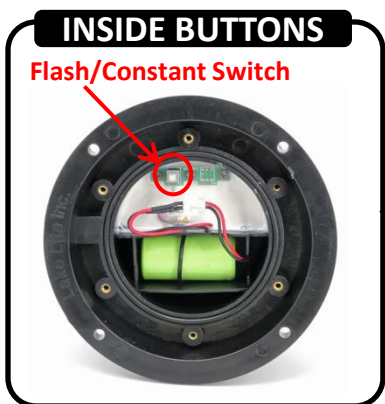
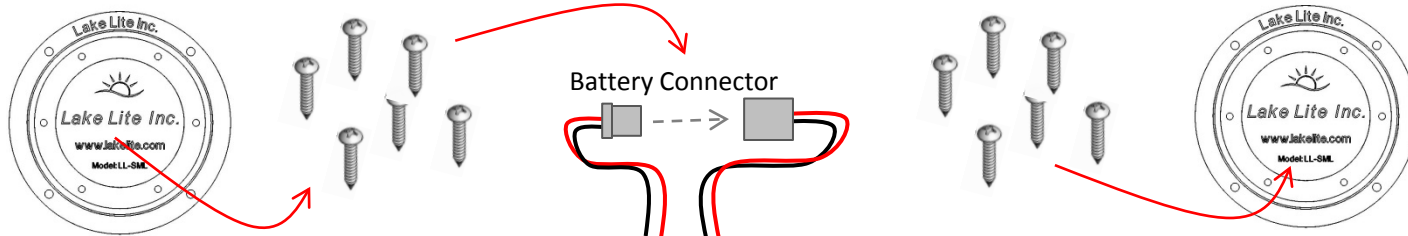
Solar Marine Lite

MODEL: LL-SML-X



1nm

NOTE: BATTERY MUST BE INSTALLED & CONNECTED TO FUNCTION

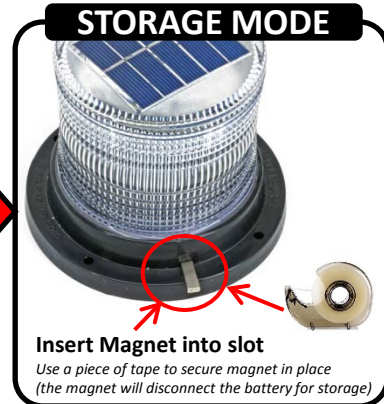


INSTALLING THE BATTERY

1. Remove Battery Cover from bottom of unit.
2. Connect both sides of the battery connector together
3. **Internal Switch, Changes between Flashing or Constant Modes.**
4. Install or check that the silicone O-Ring seal is in place and correctly in position
5. Attach and tighten the battery cover with the provided 6-screws. Be sure to work your way around to each screw to fully tighten.

WARNING: LONG TERM STORAGE DIRECTIONS:

1. Charge the Light on a Sunny Day.
2. Before Nightfall Disconnect Battery & store battery in climate controller area for long term storage. You may also use the magnet to disconnect the battery for storage. Make sure the magnet will not fall out during storage or the battery may be damaged. Use a piece of tape to secure the magnet in place during storage



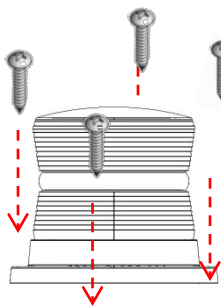
Mounting your Light to a Surface

1. Purchase desired mounting screws or bolts
2. Place/Space Marine Lite in desired locations on surface
3. Use pencil to mark mounting holes
4. Use electric drill with small drill bit to make pilot holes
5. Use Screw Driver or Electric Screw Driver to mount unit

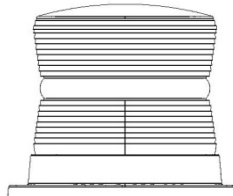
Recommended Screw size #10 or #12 x 1" or Longer

2-Screws/Bolts
For each light

Tools Required



Mounting Surface



Mounting Surface

NOTE:

1. LED Light inside is activated by darkness, Unit must be in a dark area before light will activate. Place in dark room to test unit.
2. Battery must be charged in order for the LED Light to turn on. Make sure battery is connected inside and then place in sunlight to charge.



CAUTION: CONTAINS NICKEL-CADMIUM BATTERIES. BATTERY MUST BE RECYCLED OR DISPOSED OF PROPERLY.



Lake Lite Inc.
105 W. Simon St.
Laotto, IN 46763

Phone: 260-918-2758
Fax: 260-918-3540
E-mail: sales@lakelite.com

www.lakelite.com
www.solarmarinelites.com

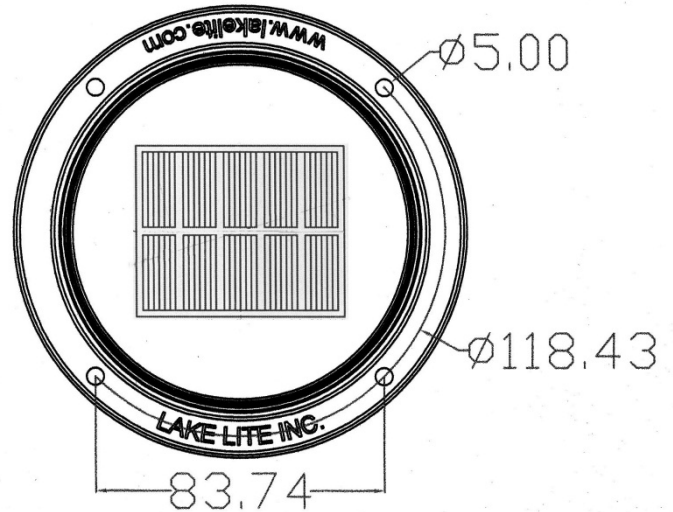
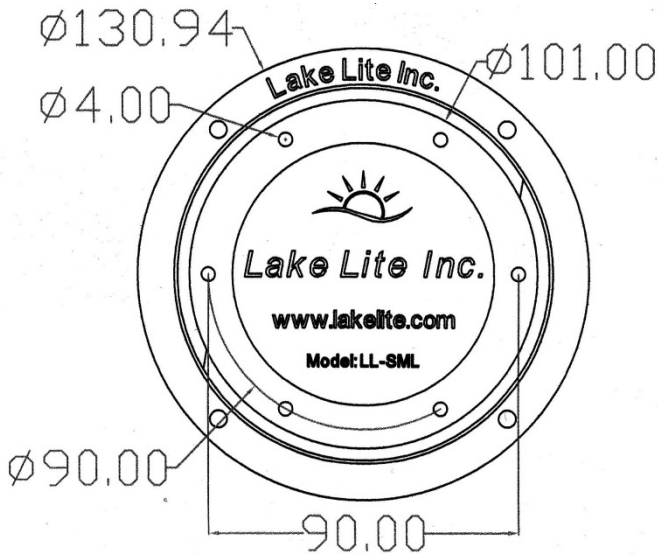
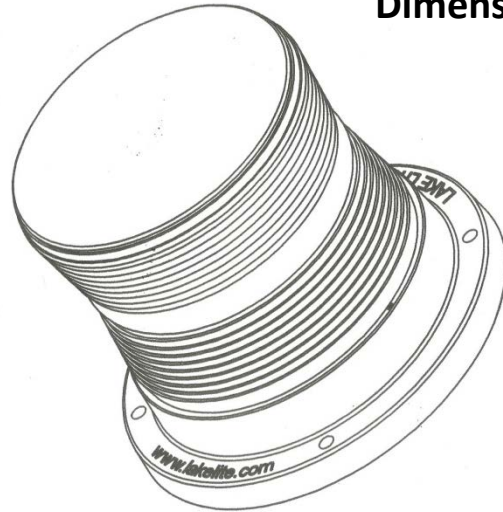
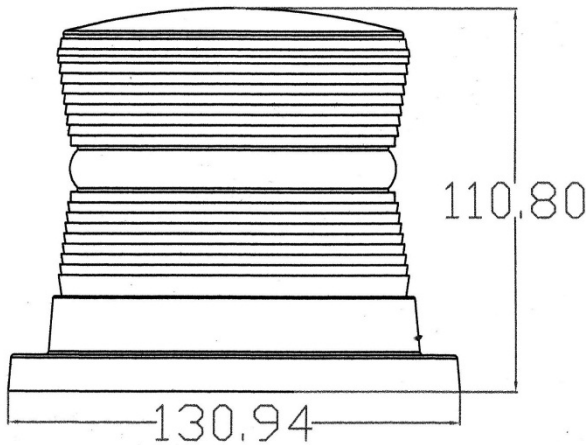
000	System Off Mode	0	0				
001	F	60	0				
002	FI(2) 10s	0.5	1	0.5	8		
003	FI(2) 10s	0.5	1.5	0.5	7.5		
004	FI(2) 10s	0.8	1.2	0.8	7.2		
005	FI(2) 10s	1	1	1	7		
006	FI(2) 10s	1	1.5	1	6.5		
007	FI(2) 12s	0.5	1	0.5	10		
008	FI(2) 12s	1.5	2	1.5	7		
009	FI(2) 15s	1	2	1	11		
010	FI(2) 5s	0.5	1	0.5	3		
011	FI(2) 5s	1	1	1	2		
012	FI(2) 6s	0.5	1	0.5	4		
013	FI(2) 6s	0.8	1.2	0.8	3.2		
014	FI(2) 6s	1	1	1	3		
015	FI(2) 7s	1	1	1	4		
016	FI(2) 8s	0.5	1	0.5	6		
017	FI(2) 8s	1	1	1	5		
018	FI(2+1) 10s	0.5	0.7	0.5	2.1	0.5	5.7
019	FI(2+1) 12s	0.8	1.2	0.8	2.4	0.8	6
020	FI(2+1) 12s	1	1	1	4	1	4
021	FI(2+1) 15s	1	2	1	5	1	5
022	FI(2+1) 6s	0.3	0.4	0.3	1.2	0.3	3.5
023	FI(3) 12S	0.5	2	0.5	2	0.5	6.5
024	FI(3) 10s	0.5	1.5	0.5	1.5	0.5	5.5
025	FI(3) 10s	1	1	1	1	1	5
026	FI(3) 12s	0.8	1.2	0.8	1.2	0.8	7.2
027	FI(3) 15s	0.3	1.7	0.3	1.7	0.3	10.7
028	FI(3) 15s	0.5	1.5	0.5	1.5	0.5	10.5

Solar Marine Lite

MODEL: LL-SML-X

1 nm

Dimensions = mm



Owner Registration Card

Please fill out and affix proper postage and return this owner registration card **within 10 days** to insure that your new Solar Marine Lite is covered by the limited warranty.

Purchaser's Name _____

Address _____

State _____ Zip _____

Purchase Date: _____ Number of Lights: _____

Where Purchased (Store Name): _____

Model No. SML-X
UPC No. Varies On Different Models

Lake Lite Inc.
P.O. Box 414, Laotto, IN 46763

Lake Lite Inc. 1-Year Limited Warranty

The retailer warrants the Solar Marine Lite to be free from defects in workmanship and material present at time of shipment from the factory for a period of one year after the date of purchase by the original purchaser. We agree to correct such defects without charge or at our option replace with a comparable or superior model if the product is returned to the retailer. To obtain warranty service, you must present a copy of the receipt as proof of purchase. All costs of removing and reinstalling the product are your responsibility. Damage to any part such as by accident or misuse or improper installation or by affixing any accessories, is not covered by this warranty. There is no other express warranty. The retailer hereby disclaims any and all warranties, including but not limited to, those of merchantability and fitness for a particular purpose to the extent permitted by law. The duration of any implied warranty, which cannot be disclaimed, is limited to the time period as specified in the express warranty. Some states do not allow limitation on how long an implied warranty lasts, so the above limitation may not apply to you. The retailer shall not be liable for incidental, consequential, or special damages arising out of or in connection with product use or performance except as may otherwise be accorded by law. Some states do not allow the exclusion of incidental or consequential damage, so the above exclusion or limitation may apply to you. This warranty gives specific legal rights, and you may also have other rights, which vary from state to state. This warranty supersedes all prior warranties.



Lake Lite Inc.
105 W. Simon St.
Laotto, IN 46763

Phone: 260-918-2758
Fax: 260-918-3540
E-mail: sales@lakelite.com

www.lakelite.com
www.solarmarinelites.com

Solar Marine Lite

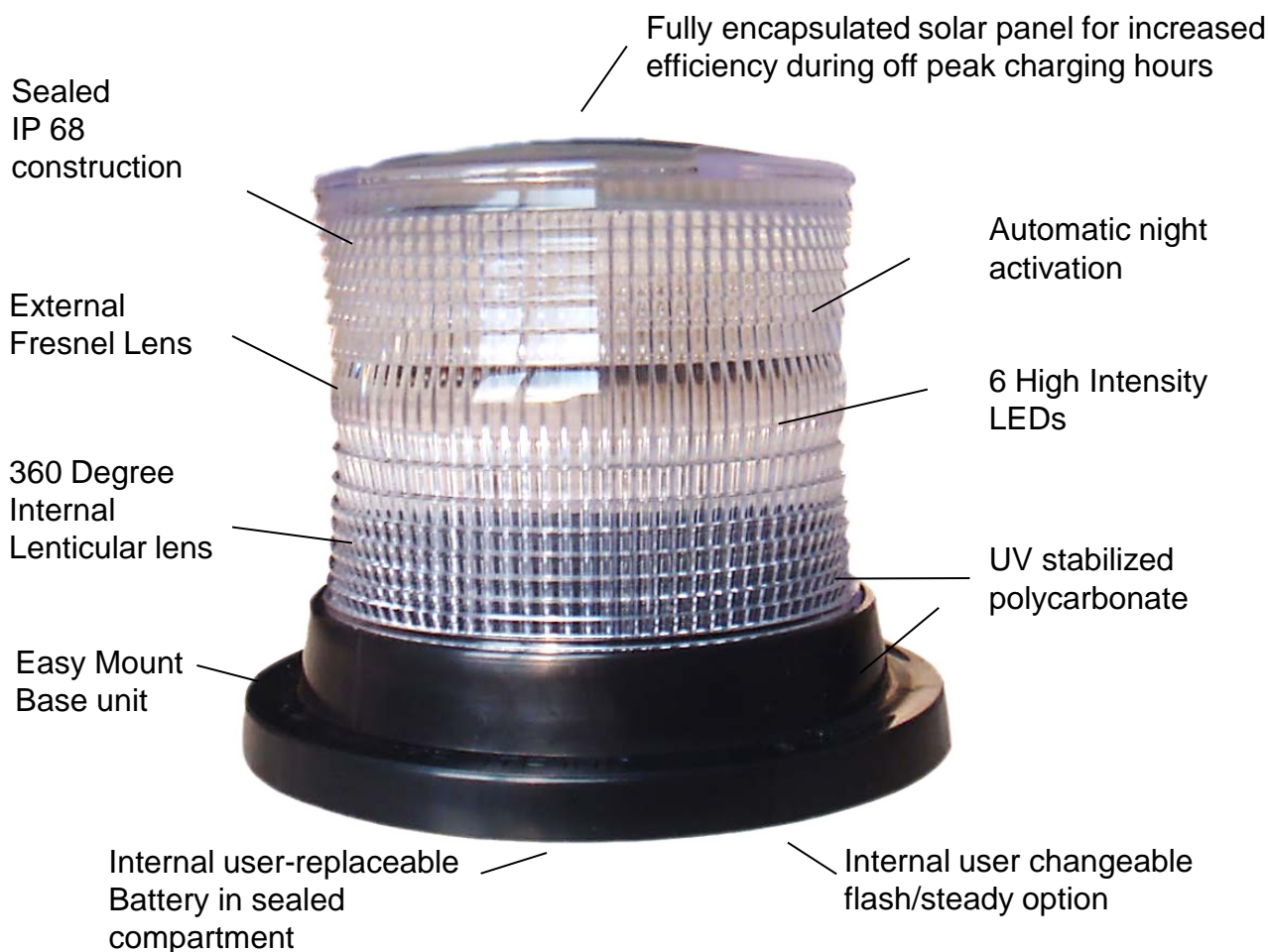
MODEL: LL-SML-X

1 nm



Solar Channel Markers

MARINAS – DOCKS – PILINGS – BUOYS – OIL BOOMS – CHANNEL MARKERS – BOAT HOUSES



Lake Lite Inc.
105 W. Simon St.
Laotto, IN 46763

Phone: 260-918-2758
Fax: 260-918-3540
E-mail sales@lakelite.com

www.lakelite.com
www.solarmarinelites.com

Solar Marine Lite

MODEL: LL-SML-X

1 nm



Specifications

LIGHT CHARACTERISTICS

Light Source	6-Ultra-High intensity LEDs.
Available LED Colors	White, Blue, Green, Amber, Red
Light Mode Options (user switchable)	Constant & 1/sec. Flashing
Visible Range Constant Light Mode	0.5 – 0.75 nm (Run Time 30hrs Max)
Visible Range Flashing 1/sec Mode	1.0 – 1.25 nm (Run Time 40-45hrs Max)
Horizontal Output (degrees)	360
Vertical Divergence (degrees)	7-10
Intensity Adjustment	Automatic for Constant & Flashing 1/sec.
LED Life Expectancy (hours)	> 100,000 hrs

ELECTRICAL CHARACTERISTICS

Circuit Protection	Integrated
Nominal Voltage (v)	1.2v
Autonomy (hours) Constant Mode	30hrs
Autonomy (hours) Flashing 1/sec Mode	40-45hrs
Temperature Range	-30 to 80 C

SOLAR CHARACTERISTICS

Solar Module Type	Multicrystalline
Power (watts)	0.45 watts
Solar Module Efficiency (%)	14-16%

POWER SUPPLY

Battery Type	High Grade NiMh – ECO Friendly
Battery Capacity (mAh)	2200 mAh
Nominal Voltage (v)	1.2v
Battery Service Life	3-4 years (Varies with local Environment)
Battery Service Access	Yes: User Changeable / Replaceable

PHYSICAL CHARACTERISTICS

Body Material	UV Stabilized Poly Carbonate
Lens Material	UV Stabilized Poly Carbonate
External Lens Design	Fresnel Lens
Internal Lens design	360 Deg. Lenticular
Water Proof Rating	IP 68
Mounting	4 x 5mm mounting holes
Height	110.8mm
Width / Diameter	130.94mm
Weight	1kg

OPTIONS

Custom Mounting & Hardware	Please Contact
Custom Flash Patterns and IALA Codes	Please Contact

* Information subject to change without notice.



Lake Lite Inc.
105 W. Simon St.
Laotto, IN 46763

Phone: 260-918-2758
Fax: 260-918-3540
E-mail sales@lakelite.com

www.lakelite.com
www.solarmarinelites.com

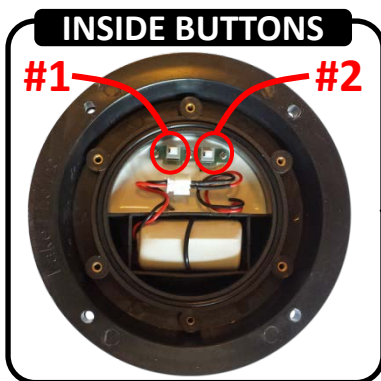
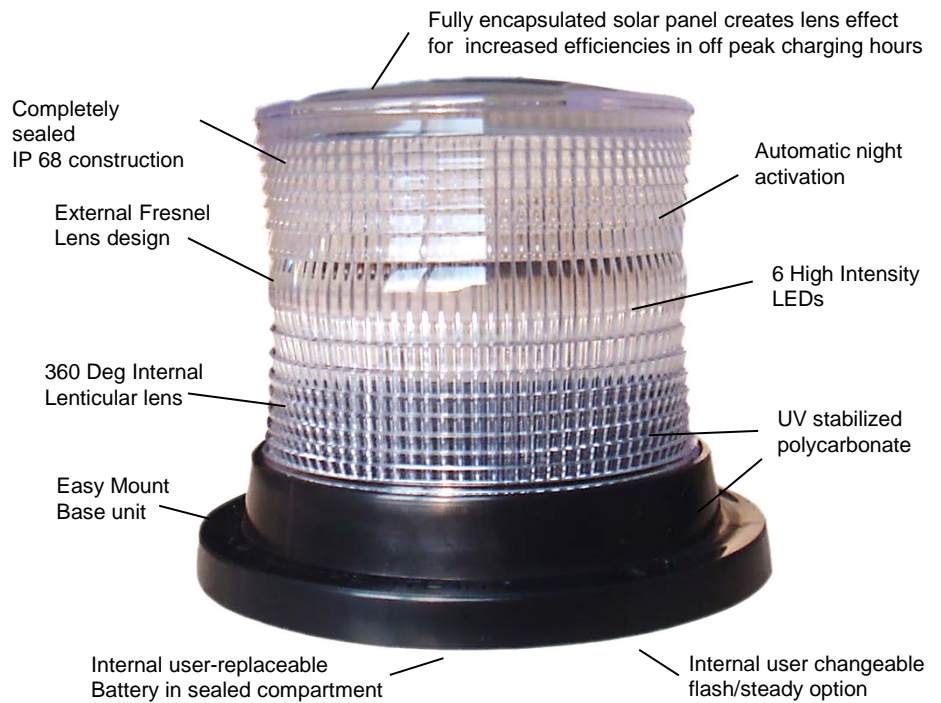
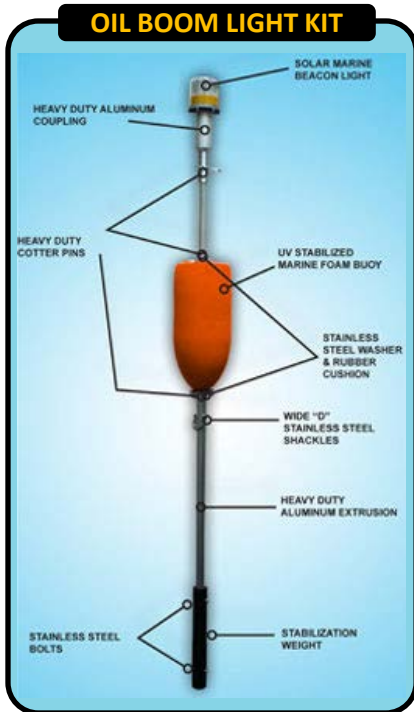
Solar Marine Lite

MODEL: LL-SML-X

1 nm



MARINAS – DOCKS – PILINGS – BUOYS – OIL BOOMS – CHANNEL MARKERS – BOAT HOUSES



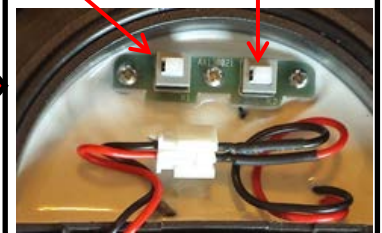
INSTALLING THE BATTERY

1. Remove Battery Cover from bottom of unit.
2. Connect both sides of battery connector together
3. **Push Button # 1 to Activate Solar Light ON/OFF**
4. **Push Button # 2 for Flashing or Constant Mode.**
5. Install or check that the silicone O-Ring seal is in place and correctly in position
6. Attach and tighten the battery cover with the provided 6-screws. Be sure to work your way around to each screw to fully tighten.

NOTE: Disconnect Battery & store battery in climate controller area for long term storage.

LIGHT MODES

ON/OFF FLASH/CONSTANT



Lake Lite Inc.
105 W. Simon St.
Laotto, IN 46763

Phone: 260-918-2758
Fax: 260-918-3540
E-mail: sales@lakelite.com

www.lakelite.com
www.solarmarinelites.com